

COVALMEX INDUSTRIAL
S.A. DE C.V.
Ingeniería, Pallería, Industria, Sector Agua.

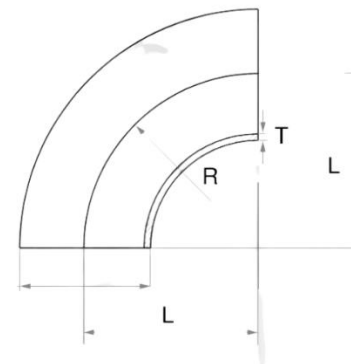
CATÁLOGO 2023

CONEXIÓN SANITARIA TIPO 304L



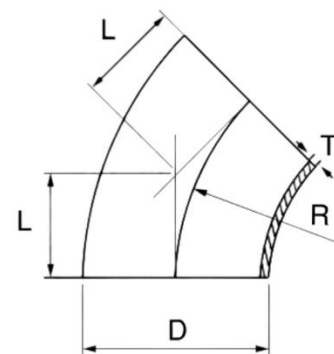
Codo de 90° | Tipo 304L

Medida	L	R	D	T
1/2"	19.1	19.1	12.7	1.65
3/4"	28.6	28.6	19.1	1.65
1"	38.1	38.1	25.4	1.65
1 1/4"	47.7	47.7	31.8	1.65
1 1/2"	57.2	57.2	38.1	1.65
2"	76.2	76.2	50.8	1.65
2 1/2"	95.3	95.3	63.5	1.65
3"	114.3	114.3	76.2	1.65
4"	152.4	152.4	101.6	1.65
5"	190.5	190.5	127	2
6"	228.6	228.6	152.4	2.77



Codo de 45° | Tipo 304L

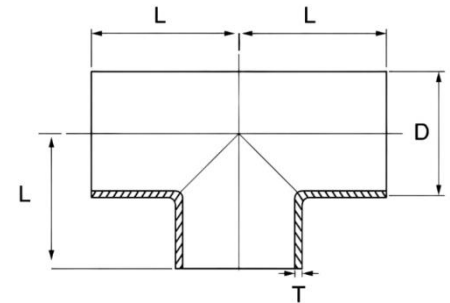
Medida	L	R	D	T
1/2"	7.1	19	12.7	1.65
3/4"	11.9	28.6	19	1.65
1"	15.8	38.1	25.4	1.65
1 1/4"	19.8	47.7	31.8	1.65
1 1/2"	23.8	57.2	38.1	1.65
2"	31.8	76.2	50.8	1.65
2 1/2"	39.6	95.3	63.5	1.65
3"	47.6	114.3	76.2	1.65
4"	63.5	152.4	101.6	2.1
6"	94.7	228.6	152.4	2.77



TEE Soldable

Tipo 304L

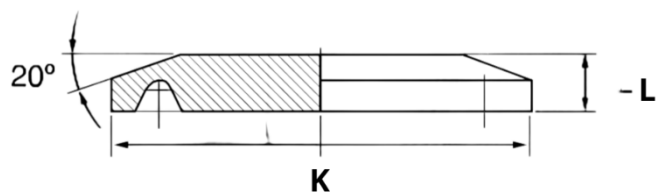
Medida	L	D	T
1/2"	38	12.7	1.65
3/4"	47.6	19	1.65
1"	47.6	25.4	1.65
1 1/4"	55	31.8	1.65
1 1/2"	57.2	38.1	1.65
2"	76.2	50.8	1.65
2" 1/2"	76.2	63.5	1.65
3"	82.6	76.2	1.65
4"	98.4	101.6	2.11
6"	143	152.4	2.77



Tapón Clamp 16AMP

Tipo 304L

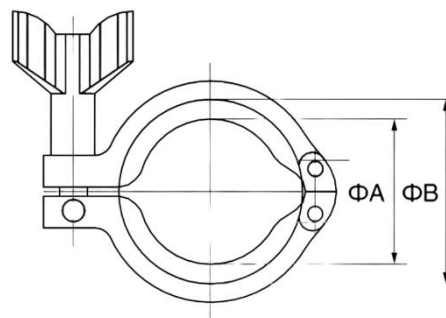
Medida	L	K
1/2"	6.0	25.0
3/4"	6.0	25.0
1"	6.3	50.5
1.5"	6.3	50.5
2"	6.3	64.0
2.5"	6.3	77.5
3"	6.3	91.0
4"	7.9	119.0
6"	11.1	166.87
8"	11.1	217.7
10"	11.1	268.5
12"	11.1	319.3



Abrazadera Clamp Alto Rendimiento

Tipo 304L

Medida			A	B
3A	DIN	ISO1127		
1-1.5"	DN25-40	26.9-42.4	44.4	53.6
2"	DN50	48.3	57.8	67
2.5"		60.3	71.4	80.6
3"	DN65	76.1	84	94.2
3.5"	DN80	88.9	99	109.2
4"	DN100	-	110	122.2
4.5"	-	114.3	123	133.2
-	DN125	139.7	144	159
6"	-	-	155.4	170.4
-	DN150	168.3	172	187
8"	-	-	205	220
-	DN200	219.1	222.5	237.5
10"	DN250	-	257	272
12"	DN300	-	308	323



Tipo 304L

Férrula Soldable Lisa Corta

Medida	L			K	D	A
	14WM P	14MMP	14AMP			
1/2"	12.7	21.5	28.6	25.2	12.7	9.4
3/4"	12.7	21.5	28.6	25.2	19.05	15.75
1"	12.7	21.5	28.6	50.5	25.4	22.2
1-1/2"	12.7	21.5	28.6	50.5	38.1	34.8
2"	12.7	21.5	28.6	64	50.8	47.5
2-1/2"	12.7	21.5	28.6	77.5	63.5	60.2
3"	12.7	21.5	28.6	91	76.2	72.9
4"	15.8	21.5	28.6	119	101.6	97.38
6"	-	21.5	28.6or38.1	166.8	152.4	146.86
8"	-	21.5	28.6or38.1	217.7	203.2	197.66
10"	-	21.5	28.6or38.1	268.5	254	247.2
12"	-	21.5	28.6or38.1	319.3	304.8	298

